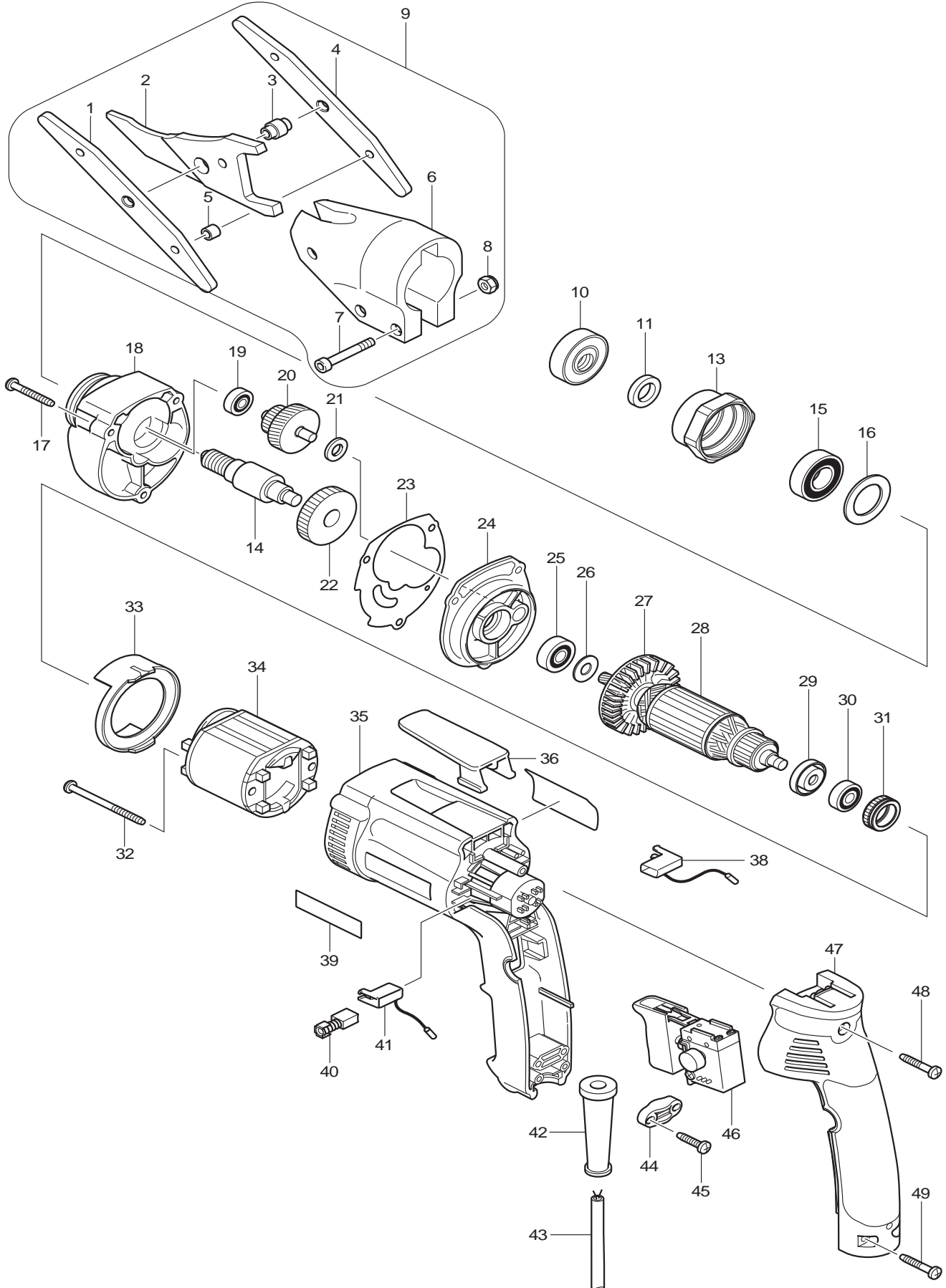




12-2009
JS8000
CEMENT SHEAR



Item No	Type	Ref	Part No	Description	Qty	Unit
1			725130-3	SIDE BLADE - USE 135168-4, Item No. A03	1	PC.
2			725129-8	CENTER BLADE - USE 135168-4, Item No. A03	1	PC.
3			331738-9	PIVOT BUSH	1	PC.
4			725130-3	SIDE BLADE - USE 135168-4, Item No. A03	1	PC.
5			331737-1	SPACER BUSH	1	PC.
6			331736-3	SHEAR HEAD	1	PC.
7			266407-2	HEX.SOCKET BOLT M5X35	3	PC.
8			264007-2	HEX.LOCK NUT M5	3	PC.
9			125354-5	SHEAR HEAD ASS'Y	1	PC.
		INC.		Item No. 1-8		
10			125355-3	ECCENTRIC BEARING ASS'Y	1	PC.
11			267341-9	FLAT WASHER 13	1	PC.
13			331695-1	JOINT	1	PC.
14			324394-2	SPINDLE	1	PC.
15			211236-8	BALL BEARING 6002DDW	1	PC.
16			253793-0	FLAT WASHER 22	1	PC.
17			266050-7	TAPPING SCREW 4X30	3	PC.
18			317727-8	GEAR HOUSING	1	PC.
19	1		211014-6	BALL BEARING 606	1	PC.
	2		211012-0	BALL BEARING 606ZZ	1	PC.
20			226133-5	GEAR COMPLETE 17-35	1	PC.
21			267017-8	FLAT WASHER 8	1	PC.
22			227010-4	SPUR GEAR 36	1	PC.
23			442136-3	GASKET	1	PC.
24			152910-8	GEAR HOUSING COVER COMPLETE	1	PC.
25			210007-0	BALL BEARING 608VV	1	PC.
26			253139-0	FLAT WASHER 8	1	PC.
27			240022-0	FAN 52	1	PC.
28			517321-8	ARMATURE ASS'Y 115V	1	PC.
		INC.		Item No. 25-27,29,30		
29			681636-0	INSULATION WASHER	1	PC.
30			211021-9	BALL BEARING 607LLB	1	PC.
31			421479-6	RUBBER RING 19	1	PC.
32			266147-2	TAPPING SCREW 4X55	2	PC.
33			416993-5	BAFFLE PLATE	1	PC.
34			633441-1	FIELD 115V	1	PC.
35	1		183285-4	* MOTOR HOUSING	1	PC.
		INC.		* Item No. 39		
	2		188628-5	* MOTOR HOUSING	1	PC.
		INC.		* Item No. 39		
	3		450718-7	* MOTOR HOUSING (MAKITA LOGO PRINTED)	1	PC.
36			417625-7	HOOK	1	PC.
38			643973-0	BRUSH HOLDER	1	PC.
39			819063-3	MAKITA LABEL (Old)	1	PC.
40	1		191927-6	CARBON BRUSH CB-407 2PC/SET, W/O ORIGIN	1	SET
	2		195007-0	CARBON BRUSH CB-407 2PC/SET, W/O ORIGIN	1	SET
41			643971-4	BRUSH HOLDER	1	PC.
42			682559-5	CORD GUARD 8	1	PC.
43			664891-9	CORD WITH PLUG 2P-18-2.5M SJ	1	PC.
44			687063-9	STRAIN RELIEF	1	PC.
45			265995-6	TAPPING SCREW 4X18	2	PC.
46			651296-2	SWITCH C3MA-2L-S	1	PC.
47	1		151961-8	* HANDLE COVER COMPLETE	1	PC.
		INC.	263002-9	* RUBBER PIN 4	2	PC.
	2		158710-4	* HANDLE COVER COMPLETE	1	PC.
		INC.	263002-9	* RUBBER PIN 4	2	PC.
48			265999-8	TAPPING SCREW 4X25	1	PC.

Item No	Type	Ref	Part No	Description	Qty	Unit
49			265999-8	TAPPING SCREW 4X25	2	PC.

ACCESSORIES

- See Catalogue or visit www.makita.ca for more accessories -

A01			783221-6	HEX.WRENCH 5/32'	1	PC.
A02			824780-2	PLASTIC CARRYING CASE	1	PC.
A03			135168-4	SHEAR BLADE ASSY	1	PC.
A03		INC.		Item No. 1-5		

SERVICE CHANGES

1. Changes on Motor Housing & Handle Cover Com.

Item No.	Description	Type 1	Type 2	Type 3
35	Motor Housing	183285-4	188628-5	450718-7
47	Handle Cover Com	151961-8	158710-4	

Above parts are completely interchangeable as a set.

